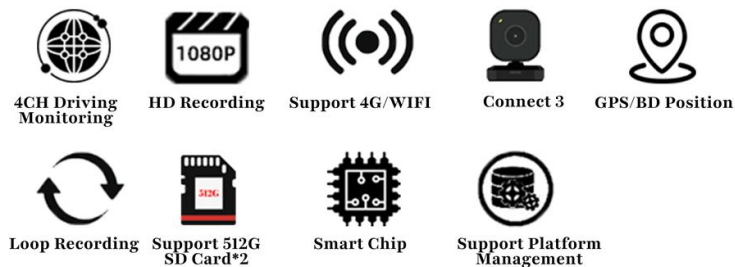


# AHD CAR-HAILING DVR (Dual TF card)



## FEATURES:

- Single chip design
- H.265/H.264 encoding, high compression ratio
- Built in one ADAS camera
- Supports Three CH 720P AHD
- AHD/TVI/CVI/CVBS video inputs
- 1CH 720P IPC
- 1CH VIDEO output
- Unique GPS drift suppression algorithm
- Support G-sensor

## Power:

- Professional In-Vehicle power design, 9-32V DC Wide Voltage Range
- Multi protection circuits like under-voltage, short, reversed plug-in
- Smart power management system, shutdown under low voltage, low consumption when standby

## Data Storage:

- Special file management system to encrypt and protect the data
- Proprietary technology to detect the bad track of the TF card which can make sure the continuity of video and long service life of the TF card
- Built-in ultracapacitor, avoid data loss and sd card damage caused by sudden outage
- Support TF card storage, maximum 512G

### Transmission Interface:

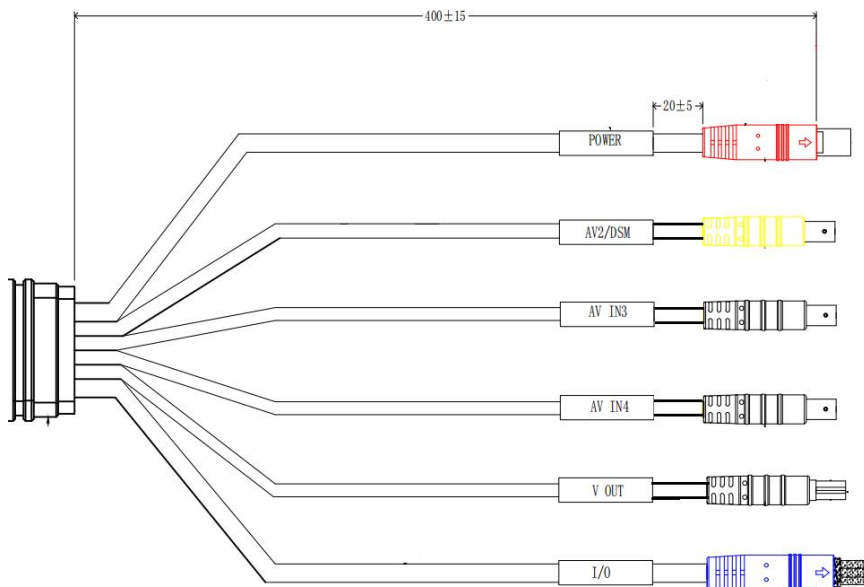
- Support GPS/BD optional, high sensitivity, fast positioning
- Built-in 4G module, support LTE/HSPA/WCDMA
- WIFI module (optional), frequency 2.4ghz

Parameter:		
Item	Device parameter	Performance
System	Operating system	Embedded Linux OS
	Operating language	Chinese/English
	Operating interface	GUI, Support mouse
	Password security	User password/Admin password
Audio & Video	Video standard	PAL/NTSC
	Video compression	H.265/H.264
	Image resolution	720P /960H/D1/CIF (ADAS support 1080p)
	Playback quality	720P /960H/D1/CIF
	Decoding ability	4ch 720P real time
	Recording quality	Class 1-6 optional
	Audio Compression	G.711A、 G.711U、 G.726
Recording	Audio recording	Audio & Video synchronized recording
	Recording mode	Automatic/Alarm
	Storage media	TF card storage
Firmware upgrading	Video inquiry	Inquiry by channel/Recording type
	Upgrading mode	Manual/Automatic/Remote
Interface	Upgrading method	USB disk, TF card, network
	AV input	3ch MIN DIN 4P,Built in high sensitivity microphone
	AV output	1ch MIN DIN 4P; Built-in 1.5W speaker
	Alarm input	4 digital inputs
	Alarm output	1 outputs (Outputs can directly drive relays <150mA)
	TF card	2 High speed TF card
	USB interface	1 MICRO USB
	Ignition input	1 ACC signal
	LED Indication	PWR/RUN Bicolor indicator
	RS232	2 RS232 (1 DEBUG, 1 RS232)
	RS485	1 RS485
Extended functionality	SIM interface	1 MICRO SIM
	GNSS	GPS/BD
	3G/4G	4G Netcom
	WIFI	802.11b/g/n, 2.4GHz

Other	Power input	DC: 8V~36V		
	Power output	1.5A/12V		
	Power consumption	10W		
	Working temperature	-20 --- 70°C		
	Storage	720P	270MB/H/CH	H.265
		720P	510MB/H/CH	H.264
Dimension	111.38*87.3*27mm			

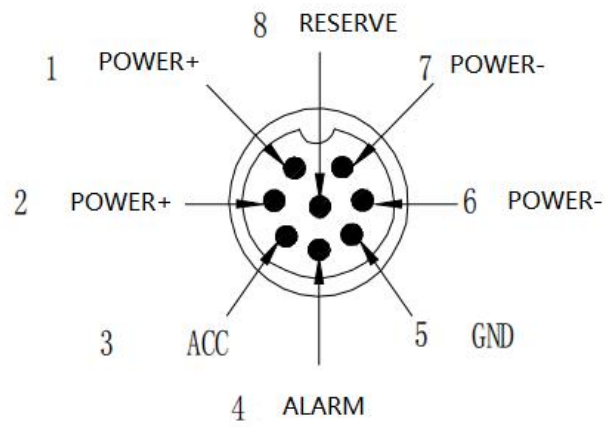
## The interface definition

### 1. Pull-out line



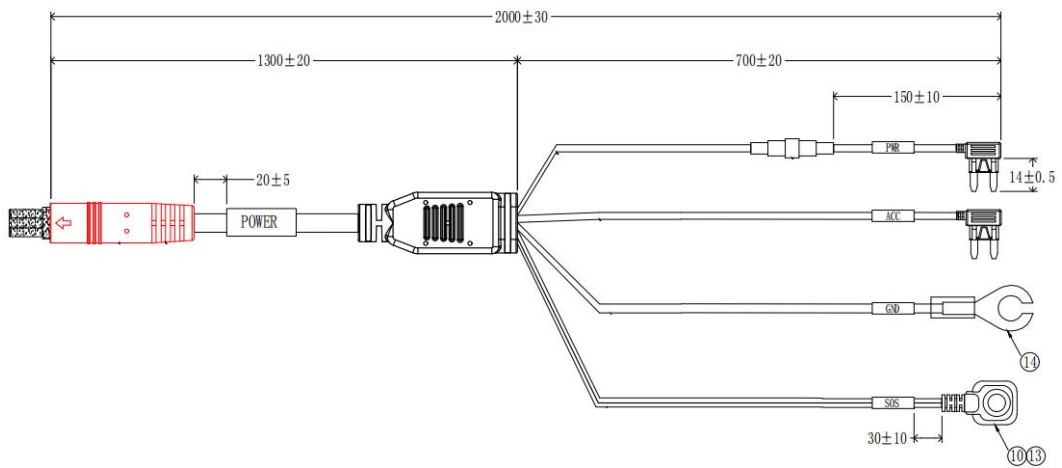
**Pull-out-line definition**

## 2. Power Interface

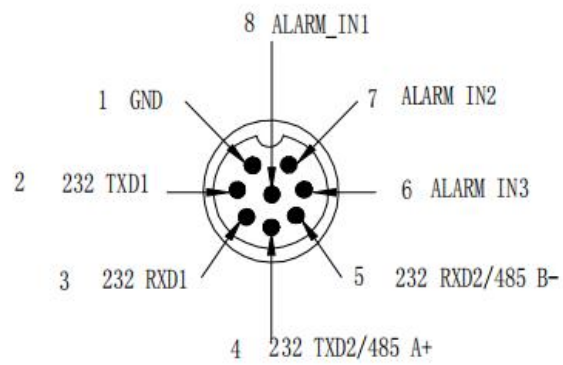


Power Interface Definition

## 3. Power extension cable



#### 4. IO



I/O

#### 5. Audio and video



AV-IN



AV-OUT

#### 6. Dimensions:

