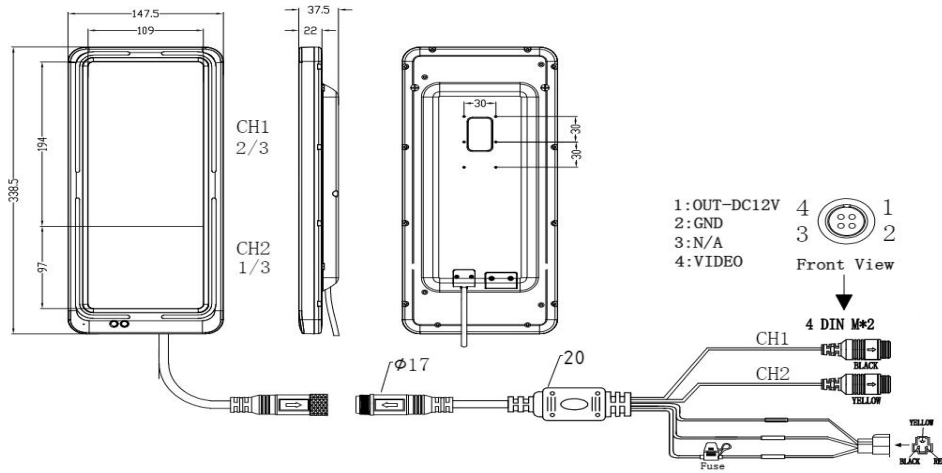




1. Specification

Parameter	Model	TF1233-02AHD-1
	Screen Type	TFT-LCD
	Screen Size	12.3 inch (8 : 3) IPS
	Resolution	1920X3 (RGB) X 720 Pixel
	Screen Backlight	LED
	Brightness	850cd/m2
	Contrast	1000:1
	Active Area	292.32 (H) X 109.62 (V) [mm]
	View Angle	U/D/L/R 85/85/85/85
	Auto Dimming	CDS: Automatic backlighting for screen, automatic adjust to the brightness of environment
	Signal Interface	4pin din aviation connector (1. +12V; 2. GND; 3. NC; 4.VIDEO)
	TV System	AHD 720P/1080P, PAL&NTSC/AUTO
	Language Menus	Chinese/English
	Operation Method	Remote Controller
	Operation Temperature	- 30 ~ 70 °C
	Storage Temperature	- 40 ~ 80 °C
Outline Dimension	343mm*160mm*31.5mm /343mm*160mm*67.5mm (with bracket)	
Interface	AHD1 (CAM1)	AHD 720P /1080P /CVBS
	AHD2 (CAM2)	AHD 720P /1080P/CVBS
	Power	DC +12~32V
	Power Consumption	MAX: 24W

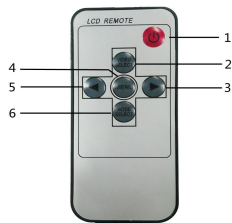
2. Interface Instructions



3. OSD Menu Display

(1) Press 4-MENU once to enter menu, press it again to enter the next option. Go to the last option, press it to exit menu

(2) Press 3-INCREASE to set up the current option, and save automatically. It will exit the menu automatically with no operation for 10s.



- 1、POWER
- 2、NC
- 3、INCREASE (Press it to flip 1/3image separately in the fifth function of the menu.)
- 4、MENU
- 5、Decrease (Press it to flip 2/3image separately in the fifth function of the menu.)
- 6、Mirror (1/3 and 2/3 image, flip simultaneously)

- | Menu | |
|------|-------------------|
| 1 | Brightness |
| 2 | Saterability |
| 3 | Contrast |
| 4 | Hue |
| 5 | Mirror LD |
| 6 | Language: English |
| 7 | Sound: ON |
| 8 | View: Normal |